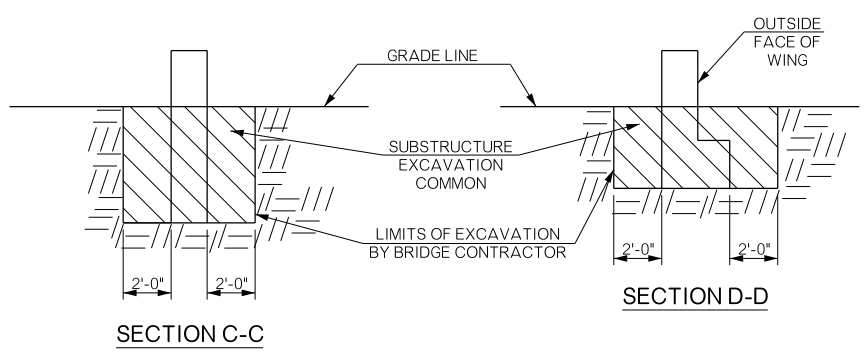
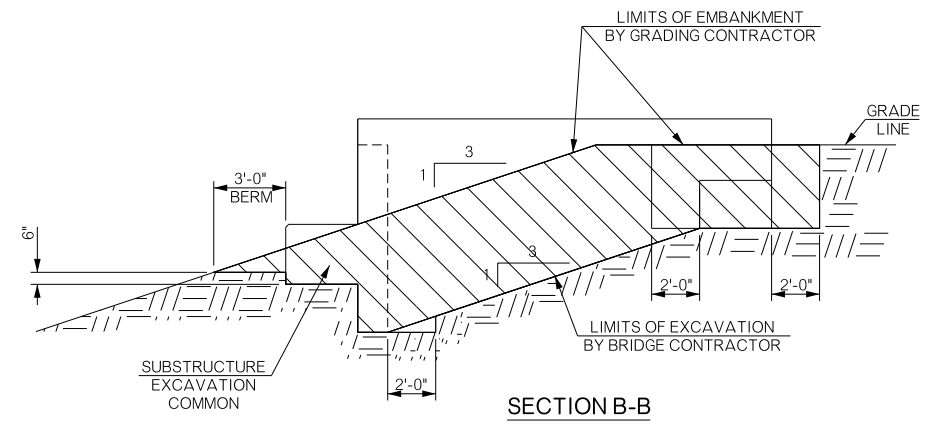
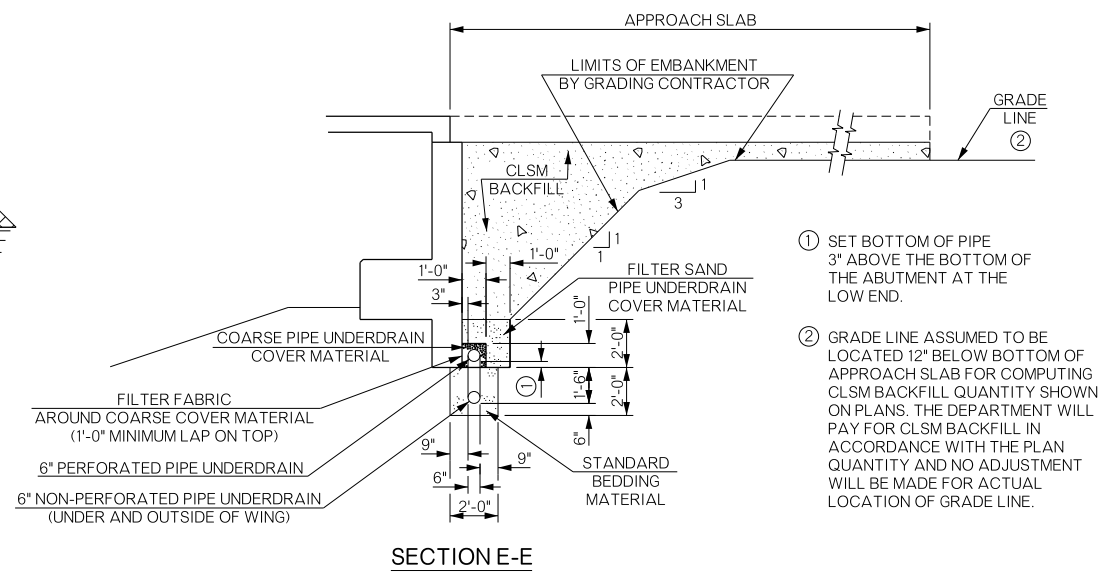
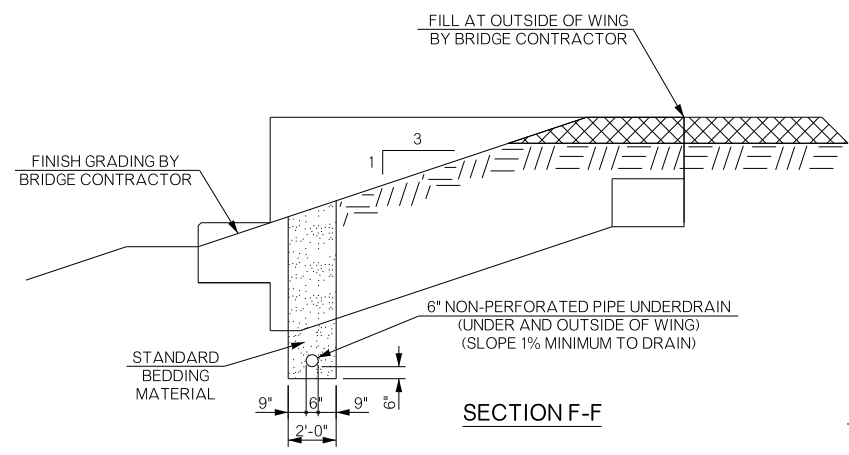
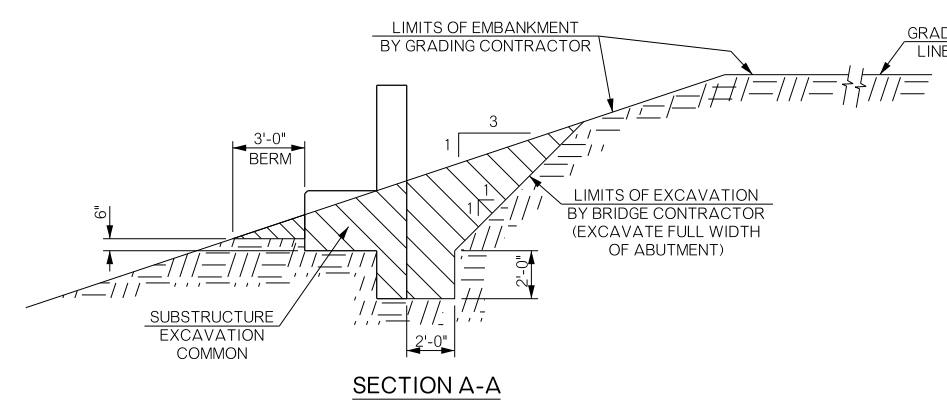
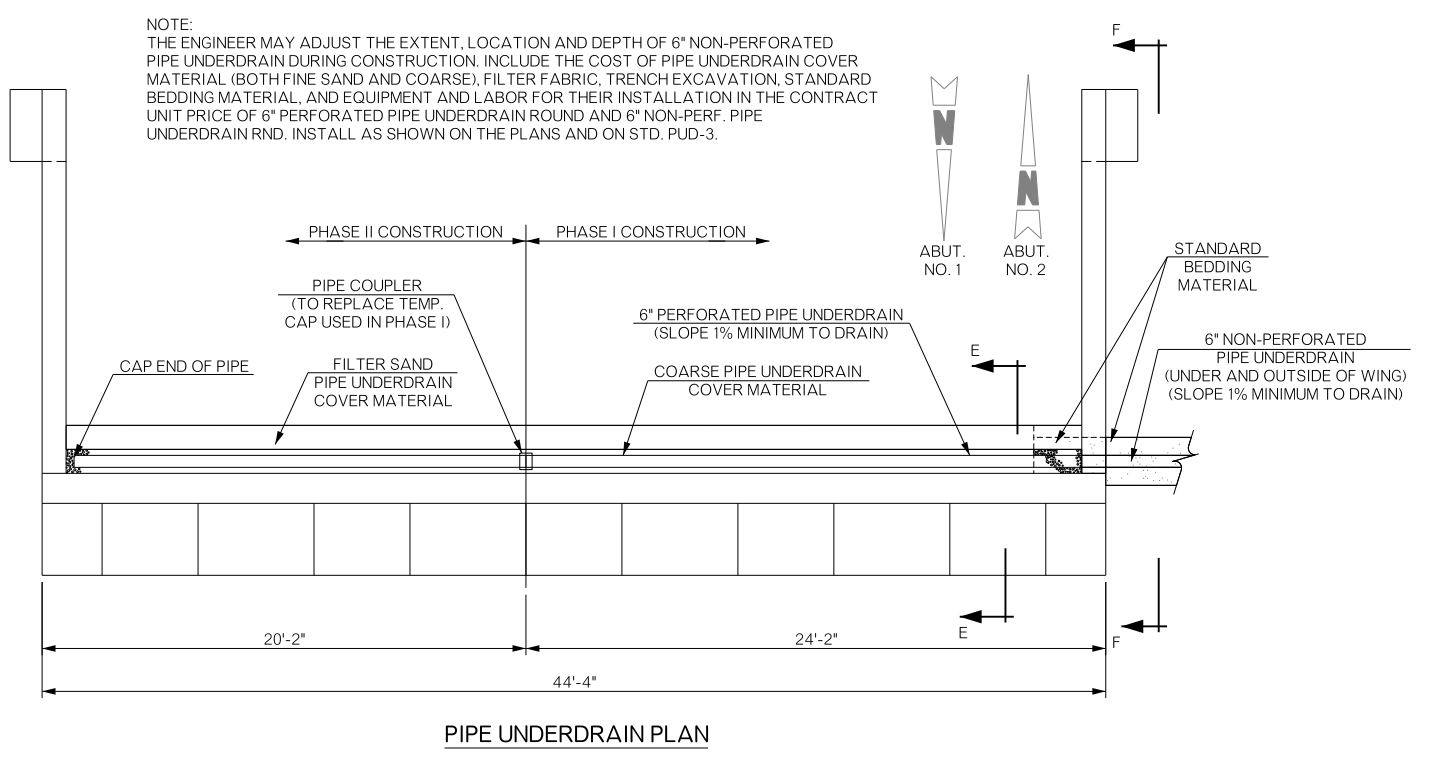
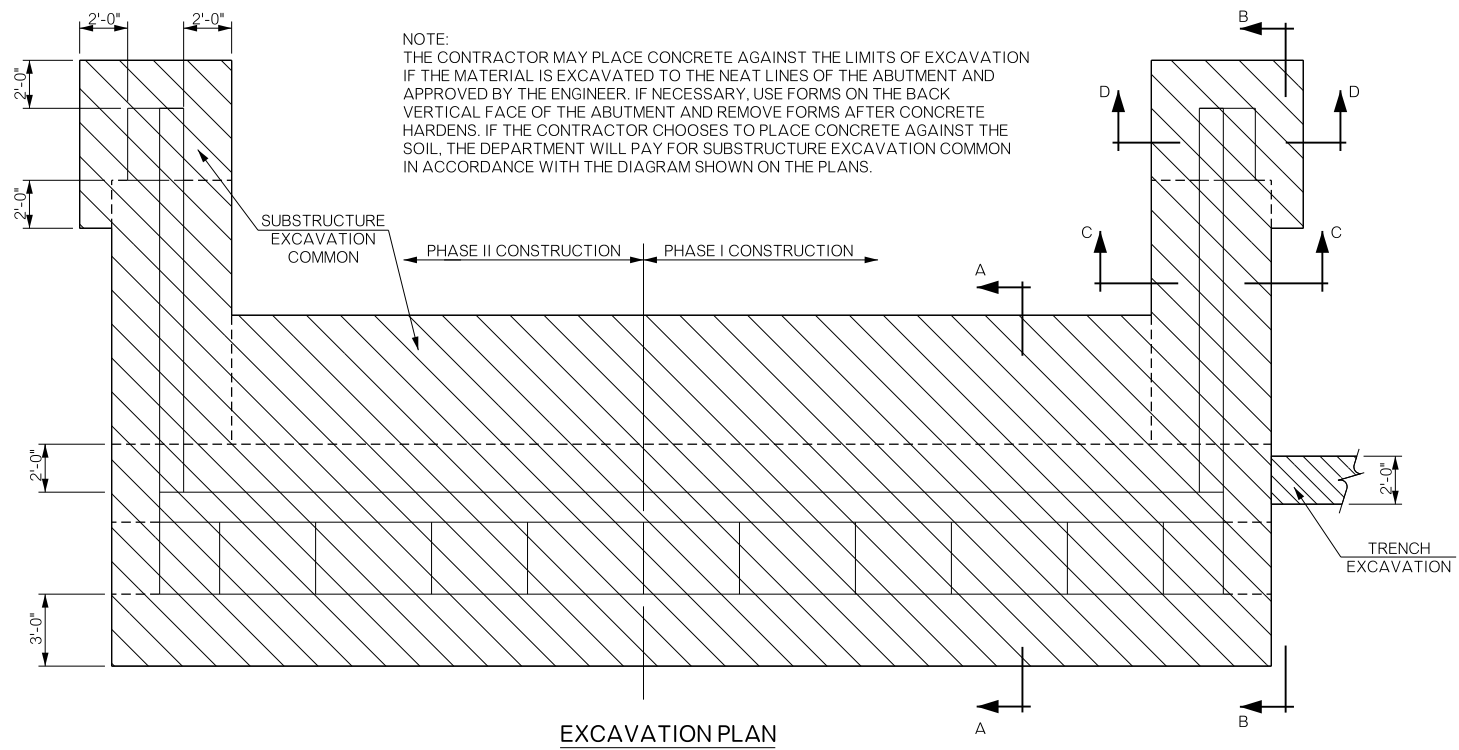


REVISIONS		
REV. NO.	DESCRIPTION	DATE



DO NOT PLACE CLSM BACKFILL UNTIL BEAMS ARE IN PLACE AND THE ABUTMENT WING CONCRETE HAS ATTAINED A STRENGTH OF 3000 P.S.I.

BRIDGE "B" U.S.-277 over SNAKE CREEK	COMANCHE COUNTY	Design	MLC	07/16
DETAILS OF PIPE UNDERDRAIN AND SUBSTRUCTURE EXCAVATION		Detail	VNT	07/16
		Check	DAH	04/17
STATE OF OKLAHOMA		Squad	HARJO	
DEPARTMENT OF TRANSPORTATION		Engr:	MOLLA-ESMAIL	
JOBPIECE NO. 27968 (04)	SHEET NO. B012			